

1

2

3

4

A

A

B

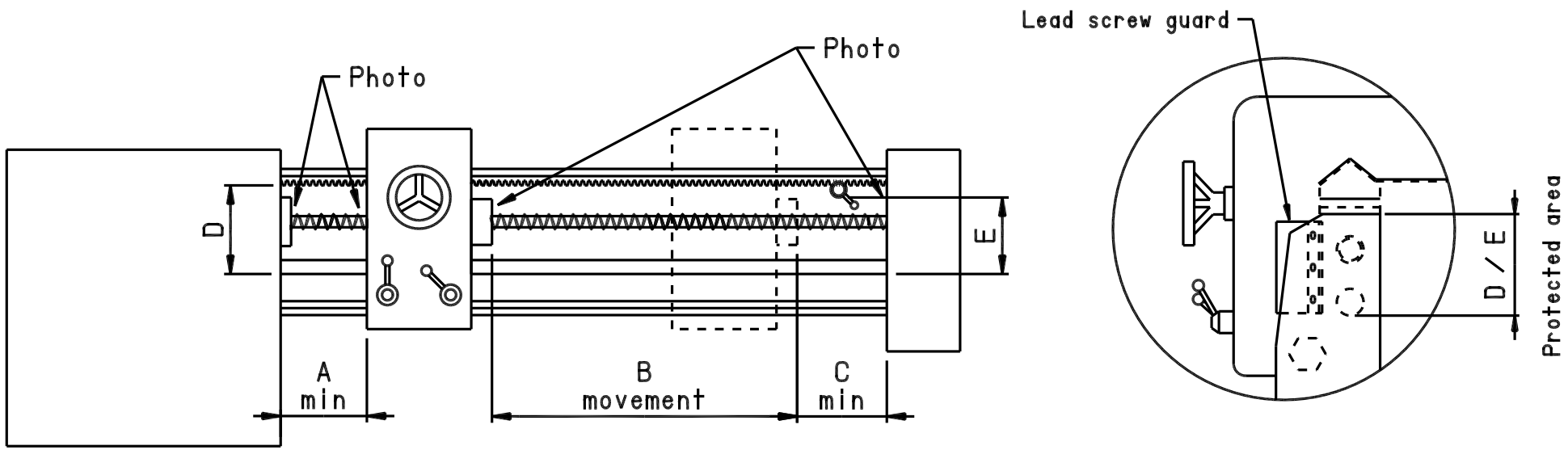
B

C

C

D

D



Pls. Fill out lines below (mm)

A = \_\_\_\_\_  
 B = \_\_\_\_\_  
 C = \_\_\_\_\_  
 D = \_\_\_\_\_  
 E = \_\_\_\_\_

Lead screw guard model	Min. space req (A & C)
100/150 x 1000	110 mm
100/150/200 x 2000	130 mm
200 x 2500	150 mm

Width and length of the lead screw guard

- 100x1000 mm
- 150x2000 mm
- 1500x1000 mm
- 200x2000 mm
- 100x2000 mm
- 2000x2500 mm

<h1>JRS</h1>	Dimensioning drawing	This drawing remains the property of FinnSafety. It is not to be copied without our permission nor is it to be shown or handed over to competitive firms or any third party.
CUSTOMER	REV 2023-1	<h2 style="font-family: sans-serif;">FinnSafety</h2>
MACHINE	DATE	
		PAGE 1/1

1

2

3

4