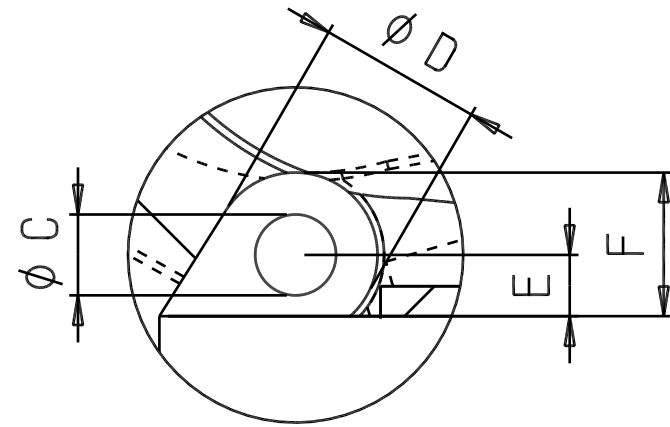
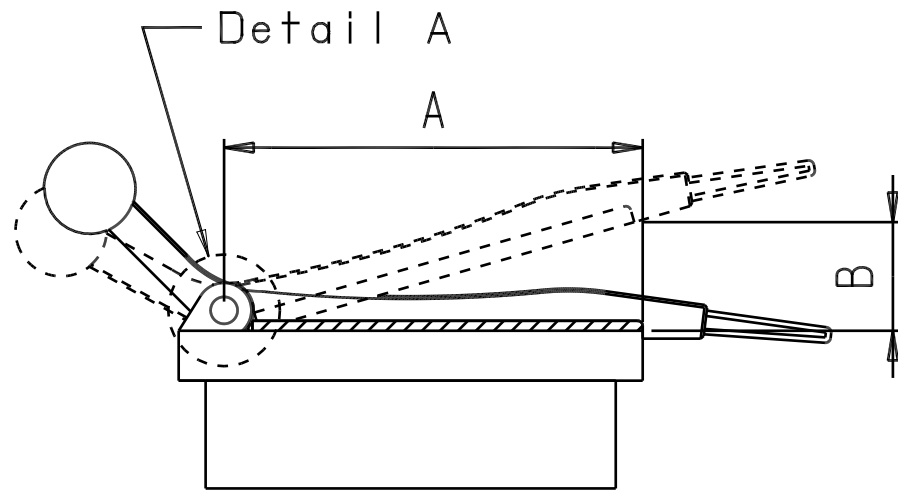


1

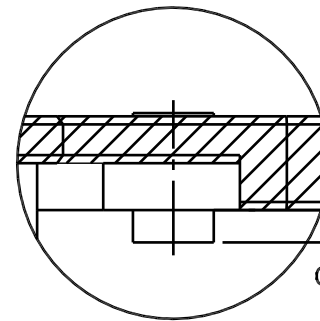
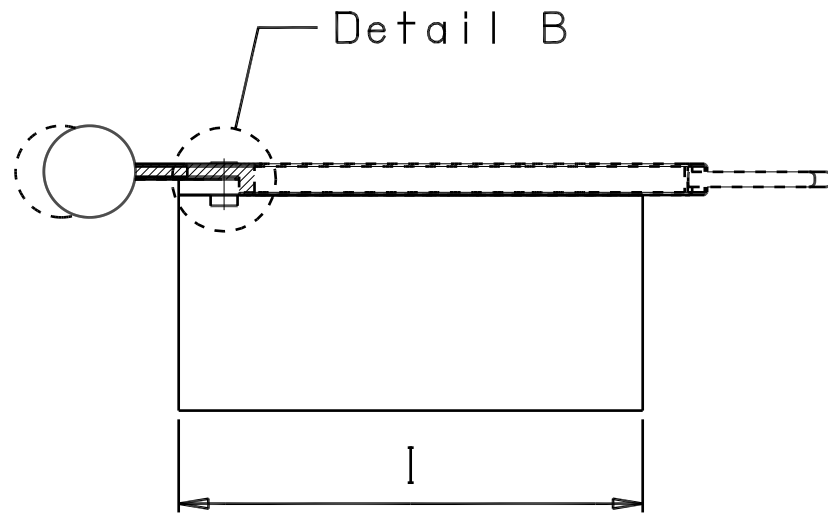
2

3

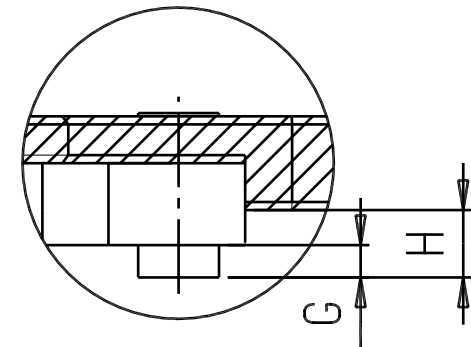
4



A
3:1



B
3:1



B
3:1

A= _____ D= ϕ _____ G= _____
 B= _____ E= _____ H= _____
 C= ϕ _____ F= _____ I= _____

LLS-307- Mittoituskuva
 Mättsättningsritning
 Dimensioning drawing

This drawing remains the property of FinnSafety Oy and is not to be copied without our permission nor is it to be shown or handed over to competitive firms or any third party.

FinnSafety

ASIAKAS
KUNN
CUSTOMER

REV
REV
REV 2018-1

KONE
MASKIN
MACHINE

PVM
DATUM
DATE



SIVU
SIDAN
PAGE 1/1

1

2

3

4